

1 2 3 4 5 6

A

B

C

D

M3 screw for assembly

Mating face acc. to IEC 60603-7

M20x1,5 metal sealing gland

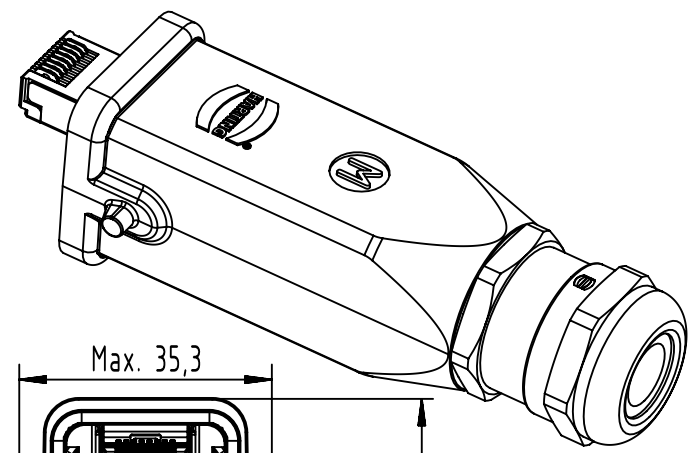
Max. 2,35

Max. 95,35

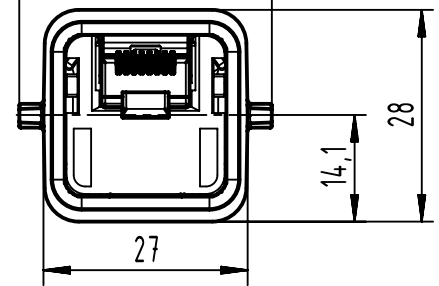
B

A

Max. 21,3



Max. 35,3



27

14,1


28

Contact no.8

Contact no.1

- For stranded conductors (AWG28 up to AWG24)
- Max. wire diameter 1.05mm
- Cable diameter 5 to 9mm
- Degree of protection IP65/IP67
- Cat.6A, Performance class E<sub>A</sub>
- Suitable for 1/10 Gigabit Ethernet
- Temperature range: -40°C up to +70°C
- 750 mating cycles

Data contacts plating:  
Au 1,27µm (50µ") over Nickel

	All rights reserved Department EL PD	All Dimensions in mm Original Size DIN A4	Scale 1:1	Free size tol.	Ref. Sub.
	HARTING D-32339 Espelkamp	Created by 406403	Inspected by PREOTU	Standardisation RUETERA	Date 2022-08-16
Title Han3A RJ45 GL Cat6A plug 8p met.					Doc-Key / ECM-Nr. 100515081/UGD/001/E 500000221441
Type TB				Number 09451151520	Rev. E
					Page 1/1